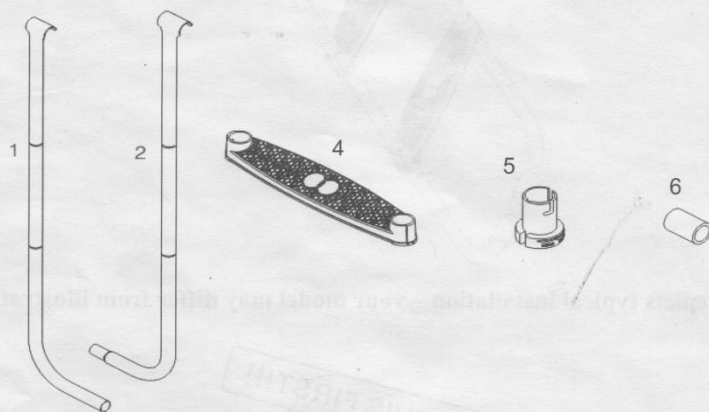


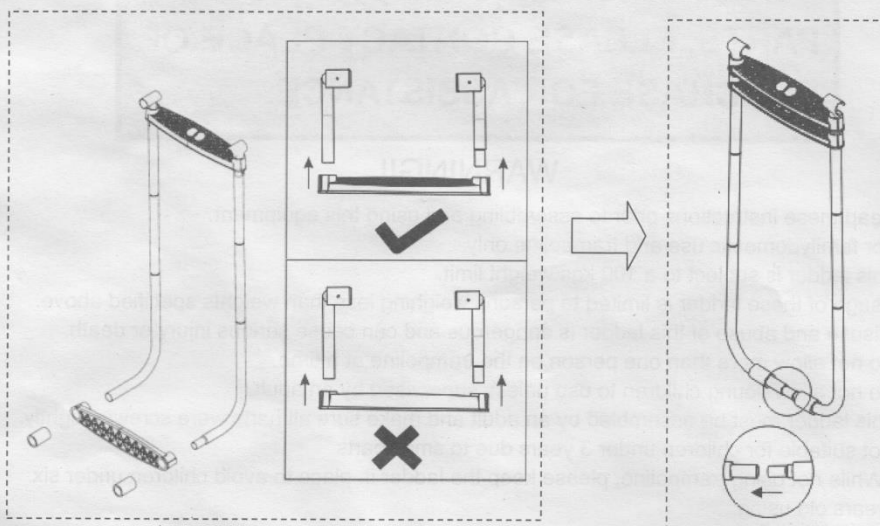
## PARTS LIST

### 1. PACKAGE CONTENTS

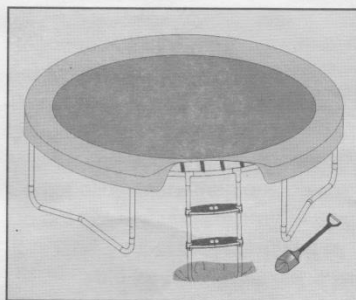
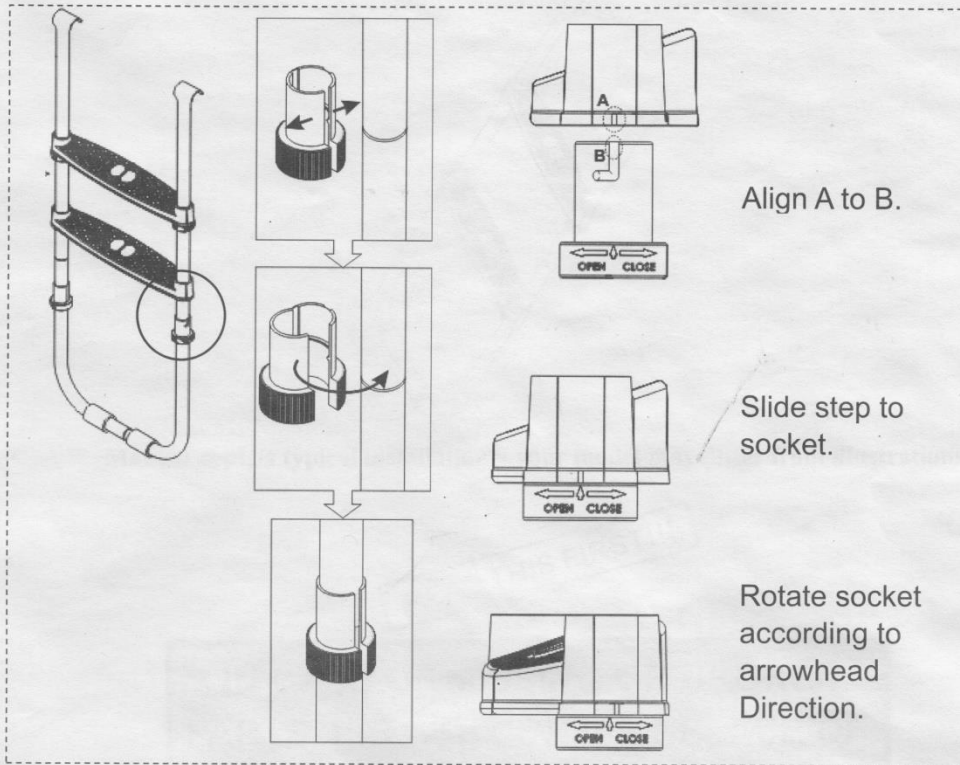
Item	Description	QTY
1	Leg A	1
2	Leg B	1
4	Step	2
5	Socket	4
6	Bunk cotton	2



## Assembly Instruction



# Assembly Instruction Ladder



**Note:** The 8ft and 10ft trampoline's heights is a little low. When you use this ladder, it maybe too long which will make the steps point down when you climb up to the trampoline. It would be safer if you can dig a hole so the bottom of the ladder sits firmly flat on the ground as shown.